



RoHS Compliant

# MS1249

Sub-Miniature Slide, SPDT

## Specifications

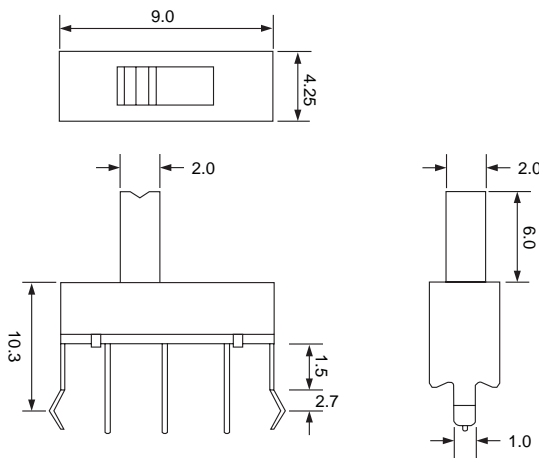
Electrical Ratings	200mA @ 30VDC
Electrical Life	10,000 cycles typical
Contact Resistance	<50mΩ initial
Dielectric Strength	1000Vrms min

Insulation Resistance	>100MΩ min
Actuation Force	250 ± 100gF
Actuation Travel	2.0mm total
Operating Temperature	-40°C to 85°C
Storage Temperature	-40°C to 85°C

## Materials

Actuator	6/6 Nylon
Housing	Steel or Nylon
Base	Phenolic or PBT
Contacts	Phosphor Bronze, Silver Plated
Terminals	Brass, Silver Plated

## Dimensions



1. Series	MS1249
MS1249	

## Schematic & PC Layout

